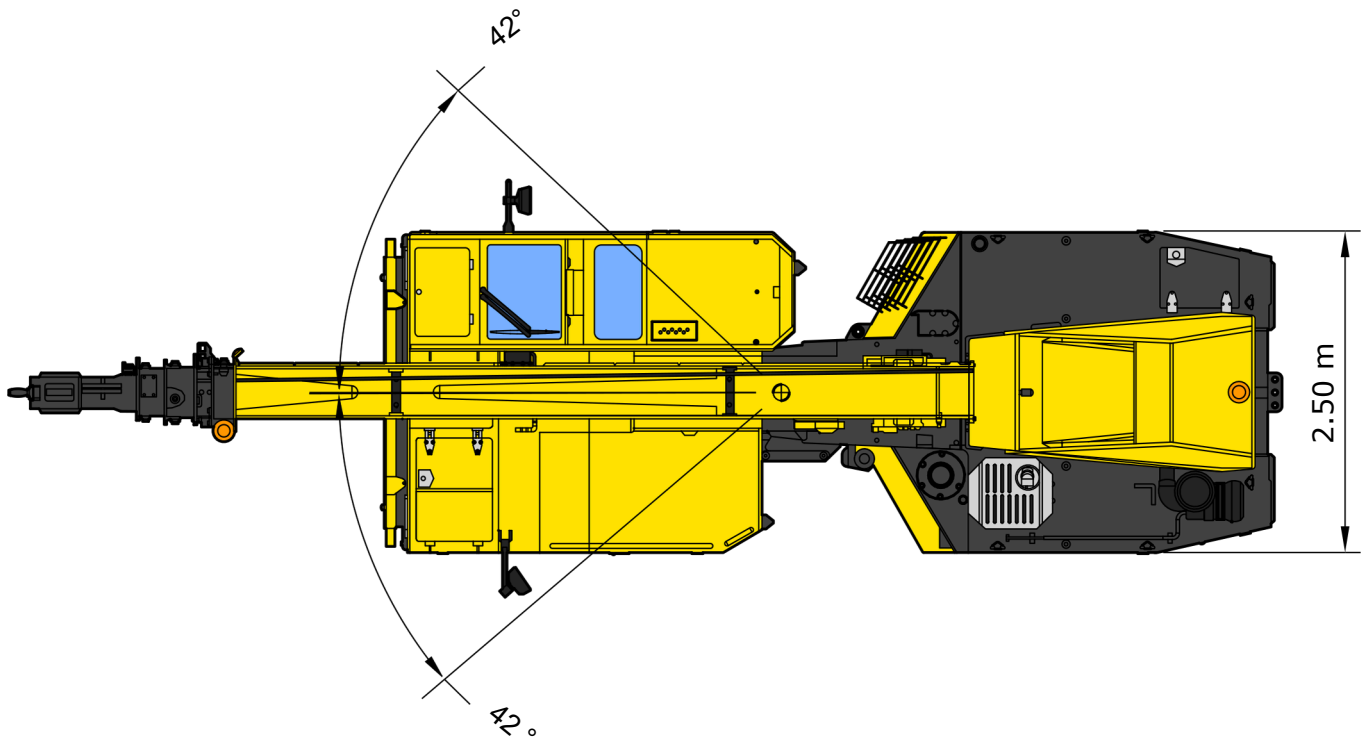
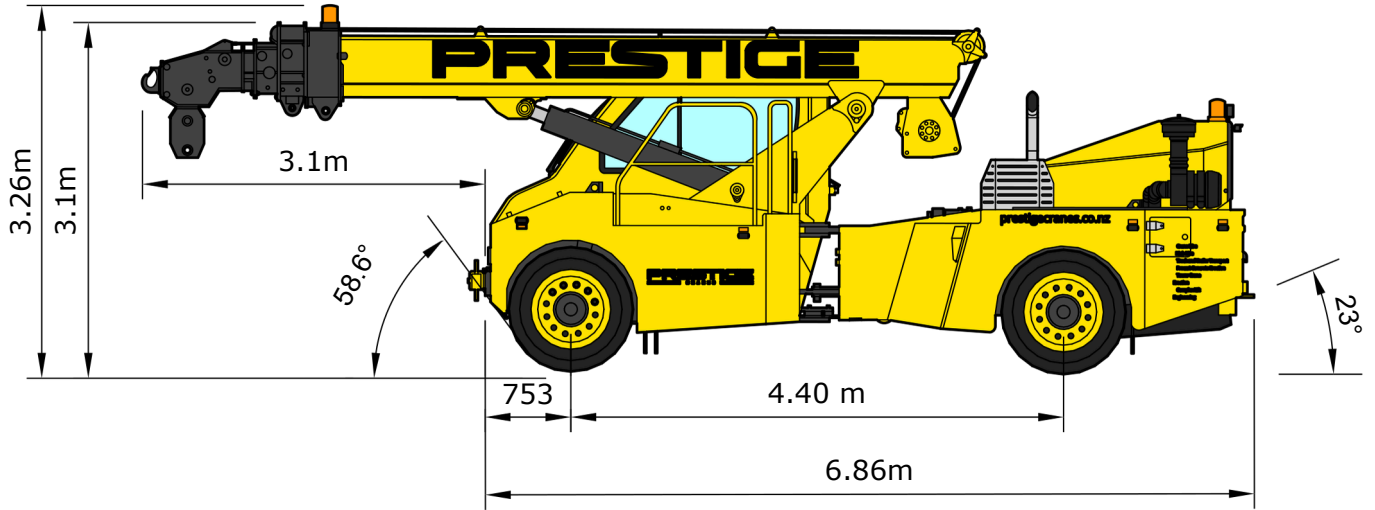


Tidd PC25

25T Pick and Carry



Tidd PC25 25T Pick and Carry

Rated Capacity in Kg	
	0°- 10° articulation
	11°- 20° articulation
	21°- 42° articulation
	Boom angle in degrees

NO counterweight on rear

Counterweight on rear

		BOOM LENGTH (M)								
(M)		6.0	7.0	8.0	9.0	10.0	11.0	12.0	13.0	14.3
1.0		18400	18400							
		17480	17480							
		15640	15640							
1.5		53	60							
		18400	18400	18400						
		17480	17480	17480						
2.0		15640	15640	15640						
		47	55	60						
		17200	17060	16920	16780					
2.5		16340	16207	16074	15941					
		14620	14501	14382	14263					
		40	49	55	60					
3.0		13900	13840	13770	13710	13640				
		13205	13148	13082	13025	12958				
		11815	11764	11705	11654	11594				
3.5		32	44	51	56	60				
		11450	11360	11270	11180	11080	10990	10900		
		10878	10792	10707	10621	10526	10441	10355		
4.0		9733	9656	9580	9503	9418	9342	9265		
		20	38	46	52	56	60	62		
		10000	9880	9760	9640	9520	9400	9280	9160	
4.5		9500	9386	9272	9158	9044	8930	8816	8702	
		8500	8398	8296	8194	8092	7990	7888	7786	
		0	30	41	48	53	57	60	62	
5.0		8720	8540	8370	8190	8020	7850	7670	7500	
		8284	8113	7952	7781	7619	7458	7287	7125	
		7412	7259	7115	6962	6817	6673	6520	6375	
5.5		21	35	43	49	53	57	60	63	
		7610	7500	7380	7270	7160	7050	6940	6820	
		7230	7125	7011	6907	6802	6698	6593	6479	
6.0		6469	6375	6273	6180	6086	5993	5899	5797	
		0	28	38	45	50	54	57	60	
		6860	6740	6620	6500	6380	6260	6150		
6.5		6517	6403	6289	6175	6061	5947	5843		
		5831	5729	5627	5525	5423	5321	5228		
		19	33	41	47	51	54	58		
7.0		5650	5640	5630	5620	5610	5600			
		5368	5358	5349	5339	5330	5320	5310		
		4803	4794	4786	4777	4769	4760	4750		
7.5		18	31	39	45	49	53			
		4680	4640	4610	4570	4530				
		4446	4408	4380	4342	4304				
8.0		3978	3944	3919	3885	3851				
		17	30	37	43	48				
		3970	3960	3950	3940					
8.5		3772	3762	3753	3743					
		3375	3366	3358	3349					
		16	28	36	42					
9.0		3400	3390	3390						
		3230	3221	3221						
		2890	2882	2882						
9.5		16	27	36						
		2920	2890							
		2774	2746							
10.0		2482	2457							
		15	28							
		2590								
10.5		2461								
		2202								
		18								
11.0		2350								
		2233								
		1998								
11.8		0								

		BOOM LENGTH (M)								
(M)		6	7	8	9	10	11	12	13	14.3
1		18400	18400							
		17480	17480							
		15640	15640							
1.5		53	60							
		18400	18400	18400						
		17480	17480	17480						
2		15640	15640	15640						
		47	55	60						
		17200	17060	16920	16780					
2.5		16340	16207	16074	15941					
		14620	14501	14382	14263					
		40	49	55	60					
3		15690	15580	15240	15170	15100				
		14909	14693	14478	14412	14345				
		13339	13147	12954	12895	12835				
3.5		32	44	51	56	60				
		14110	13950	13790	13670	13560	13480	13400		
		13405	13253	13101	12989	12877	12804	12730		
4		11994	11858	11722	11622	11522	11456	11390		
		20	38	46	52	56	60	62		
		12670	12540	12410	12300	12200	12110	12030	11220	
4.5		12034	11912	11790	11687	11585	11508	11431	10655	
		10767	10658	10549	10457	10366	10297	10228	9534	
		0	30	41	48	53	57	60	62	
5		11130	11030	10930	10840	10750	10670	10530	10400	
		10571	10479	10386	10293	10213	10132	10006	9880	
		9458	9376	9293	9210	9138	9065	8953	8840	
5.5		21	35	43	49	53	57	60	63	
		9860	9790	9720	9650	9590	9520	9390	9250	
		9367	9301	9234	9168	9107	9046	8917	8788	
6		8381	8322	8262	8203	8148	8094	7978	7863	
		0	28	38	45	50	54	57	60	
		8550	8510	8470	8420	8380	8240	8100		
6.5		8123	8082	8042	8001	7961	7911	7828	7695	
		7268	7231	7195	7159	7123	7004	6885		
		19	33	41	47	51	54	58		
7		7080	7020	6980	6930	6880	6840	6750		
		6730	6667	6626	6586	6546	6499	6413		
		6022	5965	5929	5893	5855	5815	5738		
7.5		18	31	39	45	49	53			
		5570	5530	5490	5440	5400	5340	5280		
		5292	5251	5211	5170	5130	5070	5010		
8		4735	4698	4662	4626	4590				
		17	30	37	43	48				
		4890	4840	4790	4740					
8.5		4642	4596	4549	4503					
		4153	4112	4070	4029					
		16	28	36	42					
9		4190	4140	4080						
		3981	3928	3876						
		3562	3515	3468						
9.5		16	27	36						
		3640	3590							
		3458	3413							
10		3094	3054							
		15	28							
		3110								
10.5		2950								
		2639								
		18								
11		2350								
		2233								
		1998								
11.8		0								

